

Cylinda



FB1350A+

GB

Instruction for use

SV

Användarinstruktioner

FI

Käyttöohjeet





WARNING!

In order to ensure a normal operation of your refrigerating appliance, which uses a completely environmentally friendly refrigerant the R 600a (flammable only under certain conditions) you must observe the following rules:

- ◆ Do not hinder the free circulation of the air around the appliance.
- ◆ Do not use mechanic devices in order to accelerate the defrosting, others than the ones recommended by the manufacturer.
- ◆ Do not destroy the refrigerating circuit.
- ◆ Do not use electric appliances inside the food beeping compartment, others than those that might have been recommended by the manufacturer.

VARNING!

För att försäkra dig om en normal drift av din kylningsenhet, som använder ett miljövänligt kylmedel R 600a (endast flambart under vissa förhållanden) måste du beakta följande regler:

- ◆ Förhindra inte att luften cirkulerar fritt runt enheten.
- ◆ Använd inte mekaniska enheter för att snabba på avfrostningsprocessen, förutom det som rekommenderas av tillverkaren.
- ◆ Skada inte kylningskretsen.
- ◆ Använd inte elektriska apparater inuti förvarningsfacket, förutom de som rekommenderas av tillverkaren.

VAROITUS!

Jäähdytyslaitteen, joka käyttää täysin ympäristöystävällistä jäähdytysainetta R600a (syttyy vain tietyissä olosuhteissa), normaalin toiminnan varmistamiseksi on noudatettava seuraavia ohjeita:

- ◆ Älä estää ilman vapaata kiertoa laitteen ympärillä.
- ◆ Älä käytä mekaanisia tai muita keinoja, joita valmistaja ei suosittele, sulatusprosessin nopeuttamiseen.
- ◆ Älä vahingoita jäähdytysvirtapiiriä.
- ◆ Älä käytä ruokalokeroissa laitteen sisällä sähkölaitteita, paitsi niitä joita valmistaja mahdollisesti on suositellut.

GB**Content**

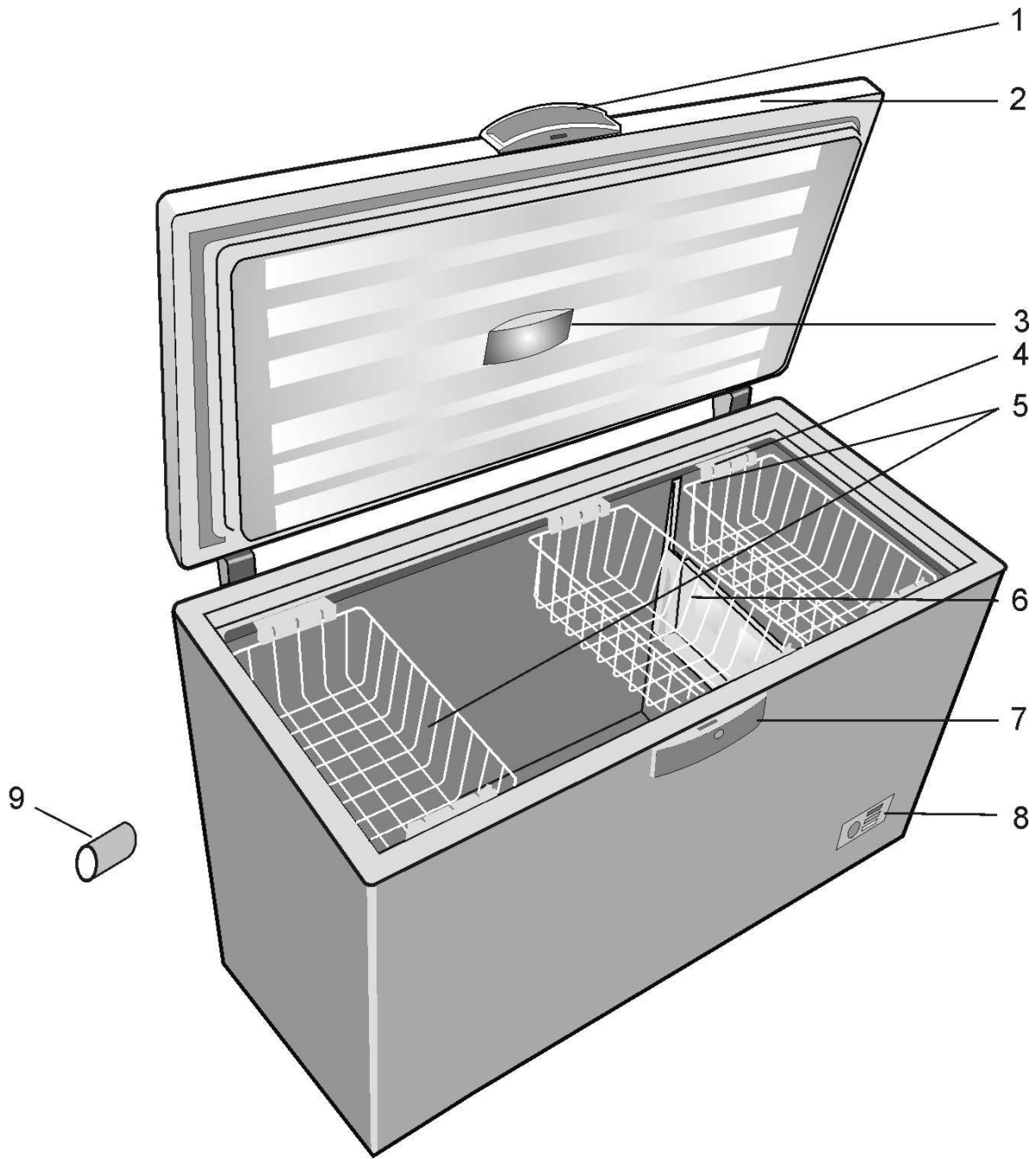
Advice for recycling of the old appliance /1
Packing Recycling /2
Transport instructions /2
Warnings and special advice /2
Setting up /3
Electric connection /3
Switching off /4
Appliance description /4
Freezer operation /4
Advice for food conservation /5
Use of baskets/5
Defrosting of the appliance /6
Cleaning of the appliance /6
Replacing the interior light bulb /6
Defects finding guide /7
Appliance data sheet /8

SV**Innehåll**

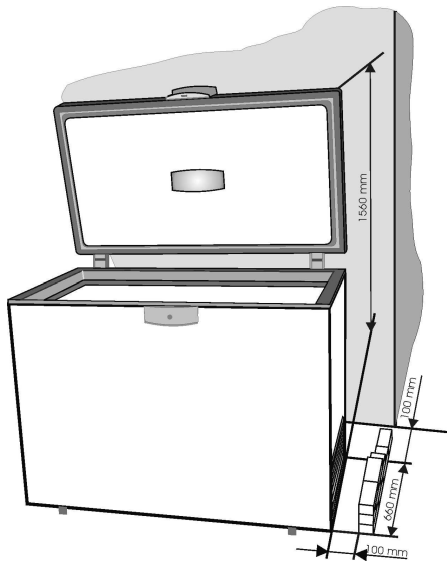
Råd för återvinning av den gamla enheten /9
Återvinning av förpackning /10
Transportinstruktioner /10
Varning och speciella råd /10
Installation /11
Elektrisk anslutning /11
Frånkoppling /12
Beskrivning av enheten /12
Användning av frys /12
Råd för bevarande av mat /13
Användning av korgar /13
Avfrostning av enheten /14
Rengöring av enheten /14
Byte av innerbelysningens glödlampa /14
Sökguide för defekter /15
Dataark för enheten /16

F**Sisältö**

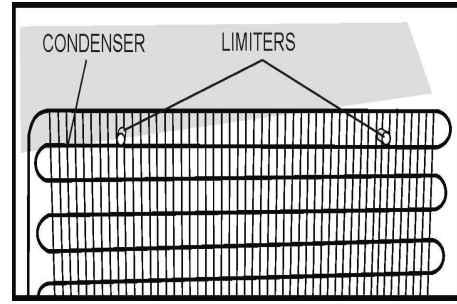
Ohjeita vanhan laitteen kierrätykseen/17
Pakkauksen kierrätys/18
Kuljetusohjeet/18
Varoitukset ja erikoisohjeet/18
Asennus/19
Sähköliitäntä/19
Sammuttaminen/20
Laitteen kuvaus /20
Pakastimen käyttö /20
Neuvoja ruuan säilömiseen /21
Korien käyttö /21
Laitteen sulattaminen /22
Laitteen puhdistaminen /22
Sisälampun vaihtaminen /22
Vianetsintäopas /23
Laitteen tuotetiedot /24



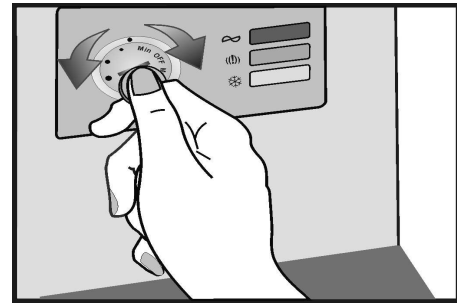
Item 1



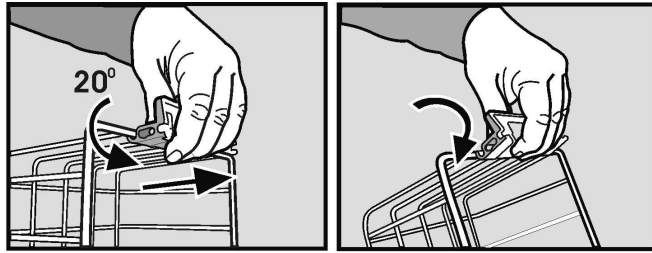
Item 2



Item 3

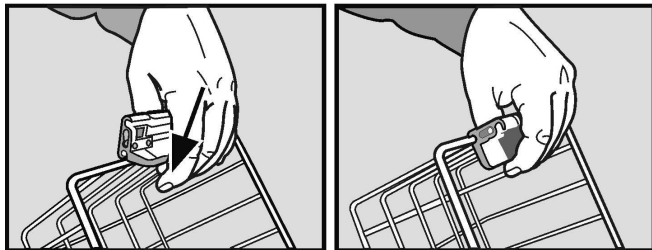


Item 4



1

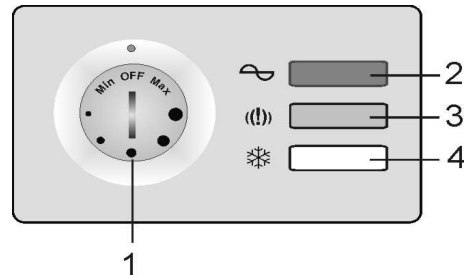
2



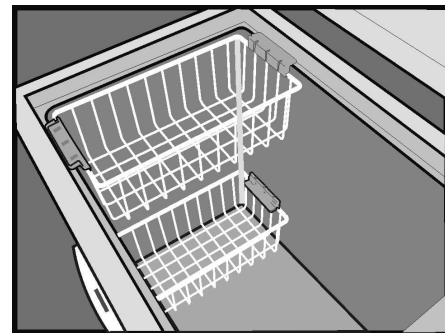
3

4

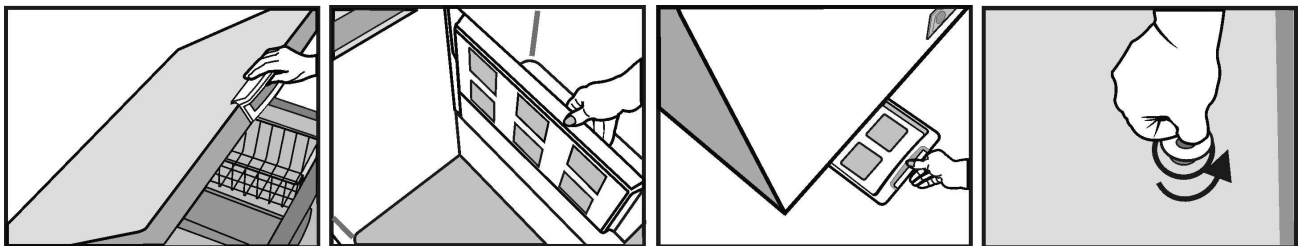
Item 6



Item 5



Item 7



1

2

3

4

Item 8

Congratulations for your choice!

The chest freezer you have purchased is one in the **CYLINDA** products range and represents a harmonious joining between the refrigeration technique with the aestetical outlook. It has a new and attractive design and is built according to the European and national standards which guarantee its operation and safety features. At the same time, the used refrigerant, R600a, is environment-friendly and it does not affect the ozone layer.

In order to use the best your freezer, we advise you to read carefully the information in these user instructions.

Advice for recycling your old appliance

If your newly purchased appliance replaces an older appliance, you must consider a few aspects.

The old appliances are not valueless scrap. Their disposal, while preserving the environment, allows the recovery of important raw materials.

Make your old appliance useless :

- disconnect the appliance from the supply;
- remove the supply cord (cut it);
- remove the eventual locks on the door to avoid the blocking of children inside, while playing, and the endangering of their lives.

The refrigerating appliances contain insulating materials and refrigerants which require a proper recycling.

This appliance is not intended for use by person with reduced physical, sensory or mental capabilities or lack of experience and knowledge unless they have been given supervision or instruction concerning use of the appliance by a person responsible for their safety. Children should be supervised to ensure that they do not play with the appliance.

Packing Recycling

WARNING!

Do not allow children to play with the packing or with parts of it. There is the risk of suffocation with parts of corrugated cardboard and with plastic film.

In order to get you in good condition, the appliance was protected with a suitable packing. All the materials of the packing are compatible with the environment and recyclable. Please help us recycle the packing while protecting the environment !

IMPORTANT!

Before putting the appliance in operation, read carefully and entirely these instructions. They contain important information concerning the setting up, use and maintenance of the appliance.

The manufacturer is free of any responsibility if the information in this document are not observed. Keep the instructions in a safe place in order to reach them easily in case of need. They can also be useful subsequently by another user.

ATTENTION!

This appliance must be used only for its intended purpose, (household use), in suitable areas, far from rain, moisture or other weather conditions.

Transport instructions

The appliance must be transported, as much as possible, only in vertical position. The packing must be in perfect condition during transport.

If during transport the appliance was put in horizontal position (only according to the markings on the packing), it is advised that, before putting it into operation, the appliance is left to rest for 12 hours in order to allow the settling of the refrigerating circuit.

The failure to observe these instructions can cause the breakdown of the motorcompressor and the cancellation of its warranty.

Warnings and general advice

- Do not plug in the appliance if you noticed a failure.
 - The repairs must be done only by qualified personnel.
 - In the following situations please unplug the appliance from the mains:
 - when you defrost completely the appliance;
 - when you clean the appliance.
- To unplug the appliance, pull by the plug, not by the cable!**
- Ensure the minimum space between the appliance and the wall against which it is placed.
 - Do not climb on the appliance.
 - Do not allow the children to play or hide inside the appliance.
 - Never use electric appliances inside the freezer, for defrosting.
 - Do not use the appliance near heating appliances, cookers or other sources of heat and fire.
 - Do not leave the freezer door open more than it is necessary to put in or take out the food.
 - Do not leave the food in the appliance if it is not working.
 - Do not keep inside products containing flammable or explosive gases.
 - Do not keep inside fizzy drinks (juice, mineral water, champagne, etc.) in the freezer: the bottle can explode! Do not freeze drinks in plastic bottles.
 - Do not eat ice cubes or icecream immediately after having taken them out of the freezer because they may cause „freezer burns“.
 - Never touch cold metal parts or frozen food with wet hands because your hands can quickly freeze on the very cold surfaces.
 - For the protection of the appliance during warehousing and transport, it is provided with spacers between the door and the cabinet (in the front and rear side). These spacers will be removed before putting the appliance into operation.

- Excess deposit of ice on the frame and the baskets should be removed regularly with the plastic scraper provided. Do not use any metal parts to remove the ice. The presence of this ice build-up makes impossible to close the door correctly.
- If you do not use your appliance for a few days, it is not advisable to switch it off. If you do not use it for a longer period, please proceed as follows :
 - unplug the appliance;
 - empty the freezer;
 - defrost it and clean it;
 - leave the door open to avoid the formation of unpleasant smells.
- The supply cord can be replaced only by an authorised person.
- If your appliance has a lock, keep it locked and store the key in a safe place, out of the reach of children. If you are discarding an appliance with lock, make sure that, is made ineffective. This is very important so as to avoid children being trapped inside, which may cause their loss of life.

Setting up

This appliance was designed to operate at an ambient temperature between +10°C and +43°C (SN/T class). If the ambient temperature is above +43°C, inside the appliance the temperature can increase.

Set up the appliance far from any source of heat and fire. Placing it in a warm room, the direct exposure to sunbeams or near a heat source (heaters, cookers, ovens), will increase the energy consumption and shorten the product life.

- Please observe the following minimum distances:
 - 100 cm from the cookers working with coal or oil;
 - 150 cm from the electric and gas cookers.
- Ensure the free circulation of the air around the appliance, by observing the distances shown in Item 2.

Assemble on the condenser (in the rear side) the supplied spacers. (Item 3).

- Place the appliance in a perfectly even, dry and well ventilated place. Assemble the supplied accessories.

Electric connection

Your appliance is intended to operate at a single-phase voltage of 220-240V/50 Hz.

Before plugging in the appliance, please make sure that the parameters of the mains in your house (voltage, current type, frequency) comply to the operation parameters of the appliance.

- The information concerning the supply voltage and the absorbed power is given on the marking label placed in the back side of the freezer.
- The electric installation must comply with the law requirements.
- **The earthing of the appliance is compulsory. The manufacturer has no responsibility for any damage to persons, animals or goods which may arise from the failure to observe the specified conditions.**
- The appliance is endowed with a supply cord and a plug (European type, marked 10/16A) with double earthing contact for safety. If the socket is not the same type with the plug, please ask a specialised electrician to change it.
- Do not use extension pieces or multiple adapters.

Switching off

The switching off must be possible by taking the plug out of the socket or by means of a mains two-poles switch placed before the socket.

Operation

Before putting into operation, clean the inside of the appliance (see chapter „Cleaning“). After finishing this operation please plug in the appliance, adjust the thermostat knob to an average position. The green and red LEDs in the signalling block must light. Leave the appliance work for about 2 hours without putting food inside it. The freezing of the fresh food is possible after min. 20 hours of operation.

Appliance description

(Item. 1)

1. Door handle
2. Door
3. Lamp housing
4. Basket handle
5. Baskets
6. Try
7. Lock housing
8. Thermostat box
9. Spacer for transport

Freezer operation

Temperature adjustment

The temperature of the freezer is adjusted by means of the knob assembled on the thermostat (item. 4), position „MAX“ being the lowest temperature.

The achieved temperatures can vary according to the conditions of use of the appliance, such as: place of the appliance, ambient temperature, frequency of door opening, extent of filling with food of the freezer. The position of the thermostat knob will change according to these factors. Normally, for an ambient temperature of approx. 43⁰C, the thermostat will be adjusted on an average position.

The signalling system is placed on the front side of the freezer (Item 5).

It includes:

1. Thermostat adjustment knob – the inside temperature is adjusted.
2. green LED – shows that the appliance is supplied with electric energy.
3. red LED – damage – lights if the temperature in the freezer is too high. The LED will operate 15-45 minutes after the putting into operation of the freezer, then it must go off. If the LED goes on during the operation, this means that defects have occurred.
4. Orange button– fast freeze – by pushing it the orange led goes on, showing that the appliance entered into the "fast freeze" mode . The exit of this mode is done by pushing the button again, and the orange led goes off.

The three LEDs give information about the mode of operation of the freezer.

Advice for food conservation

The freezer is intended to keep the frozen food for a long time, as well as to freeze fresh food.

One of the main elements for a successful food freezing is the packing.

The main conditions that the packing must fulfill are the following: to be airtight, to be inert towards the packed food, to resist to low temperatures, to be proof to liquids, grease, water vapours, smells, to be able to be washed.

These conditions are fulfilled by the following types of packings: plastic or aluminium film, plastic and aluminium vessels, waxed cardboard glasses or plastic glasses.

IMPORTANT!

- For freezing the fresh food please use the supplied baskets of the appliance.
- Do not place into the freezer a too large quantity of food at a time. The quality of the food is best kept if they are deeply frozen as quickly as possible. This is why it is advisable not to exceed the freezing capacity of the appliance specified in the "Appliance data sheet" (page 8). In order to reduce the freezing time, push the button for „fast freeze”.
- The fresh food must not come into contact with the food already frozen.
- The frozen food you have bought can be placed into the freezer without having to adjust the thermostat.

- If the freezing date is not mentioned on the packing, please take into consideration a period of max. 3 months, as a general guide.
- The food, even partially defrosted, cannot be frozen again, it must be consumed immediately or cooked and then refrozen.
- The fizzy drinks will not be kept in the freezer.
- In case of a power failure, do not open the door of the appliance. The frozen food will not be affected if the failure lasts less than 67 hours.

DO NOT FORGET!

After 24 hours since the food was placed inside, please cancel the "fast freeze" mode by pushing again the button 4, when the orange led goes off.

Use of baskets

The baskets can be introduced into the appliance on the bottom of the cabinet liner and superposed. To do so please proceed as follows:

1. Rotate the handle 20° then pull the handle in the direction shown by the arrow (item 6.1). Following this operation you get the position of the handle as in item 6.2.
2. Rotate the handle in the direction shown by the arrow (item 6.2) until it gets the position in item 6.3.
3. Fasten the handle on the wire by moving it in the direction shown by the arrow (item 6.3).
4. Thus it is obtained the assembled basket with the handle in the shown position to be put inside the cabinet of the appliance (item 6.4).

The baskets can be placed into the freezer as follows (item 7).

Defrosting of the appliance

- We advise you to defrost the freezer at least twice a year or when the ice layer has an excessive thickness.
- The ice build-up is a normal phenomenon.
- The quantity and the rapidity of ice build-up depends on the ambient conditions and on the frequency of the door opening.
- We advise you to defrost the appliance when the quantity of frozen food is the least.
- Before defrosting, adjust the thermostat knob to a higher position so that the food stores more cold.

- Unplug the appliance.

- Take out the frozen food, wrap it in several sheets of paper and put them in refrigerator or a cool place.

Take the separator panel and put it under the freezer in the direction of the dripping tube. Take out the obstructing plug. The water which results will be collected in the special tray (separator panel). After the melting of the ice and the run-off of the water please wipe with a cloth or with a sponge, then dry well. Put the obstruction plug back in its place. (Item. 8)

For a fast thaw please leave the door open.

Do not use sharp metal objects to remove the ice.

Do not use hairdriers or other electric heating appliances for defrosting.

Inside cleaning

Before starting the cleaning, unplug the appliance from the mains.

- It is advisable to clean the appliance when you defrost it.
- Wash the inside with lukewarm water where you add some neutral detergent. Do not use soap, detergent, gasoline or acetone which can leave a strong odour.
- Wipe with a wet sponge and dry with a soft cloth.

During this operation, avoid the excess of water, in order to prevent its entrance into the thermal insulation of the appliance, which would cause unpleasant odours.

Do not forget to clean also the door gasket especially the bellow ribs, by means of a clean cloth.

Outside cleaning

- Clean the outside of the freezer by means of a sponge soaked in soapy warm water, wipe with a soft cloth and dry.
- The cleaning of the outside part of the refrigerating circuit (motorcompressor, condenser, connection tubes) will be done with a soft brush or with the vacuum-cleaner. During this operation, please take care not to distort the tubes or detach the cables.

Do not use scouring or abrasive materials !

- After having finished the cleaning, replace the accessories at their places and plug in the appliance.

Replacing the interior light bulb

If the lamp burns out, disconnect the appliance from the mains. Take out the lamp trim. Make sure the lamp is screwed correctly. Plug in the appliance again. If the lamp still does not go on, replace it with another one model E14-15W. Mount back the lamp trim in its place.

Defects finding guide

The appliance does not work.

- There is a power failure.
- The plug of the supply cord is not inserted well into the socket.
- The fuse is blown.
- The thermostat is in „OFF” position.

The temperatures are not low enough (red LED on).

- The food prevents the door closing.
- The appliance was not placed correctly.
- The appliance is placed too close to a heat source.
- The thermostat knob is not in the correct position.

Excessive ice build-up

- The door was not closed properly.

The inside lighting does not work

- The lamp is blown. Unplug the appliance from the mains, take out the lamp and replace it with a new one.

The following are not defects

- Possible noddings and cracks coming from the product: circulation of the refrigerant in the system.

Noises during operation

In order to keep the temperature at the value you have adjusted, the compressor of the appliance starts periodically.

The noises which can be heard in such situation are normal.

They are reduced as soon as the appliance reaches the operation temperature.


The humming noise is made by the compressor. It can become a little stronger when the compressor starts.

The bubbling and gurgling noises coming from the refrigerant circulating in the pipes of the appliance, are normal operating noises.


Warning !

Never try to repair yourself the appliance or its electric components. Any repair made by an unauthorised person is dangerous for the user and can result in the warranty cancellation.

Appliance data sheet

BRAND	Cylinda
MODEL	FB1350A+
APPLIANCE TYPE	CHEST FREEZER 
Total gross volume (l)	369
Total useful volume (l)	350
Freezing capacity (kg/24 h)	22
Energy efficiency class (1)	A+
Energy consumption (kWh/an) (2)	299
Autonomy (hours)	67
Noise (dB (A) re 1 pW)	40
Ecological refrigerating agent R 600a	
(1) Energy classes : A . . . G (A = economical . . . G = less economical)	
(2) The real power consumption depends on the using conditions and on the appliance location.	



The symbol  on the product or on packaging indicates that this product may not be treated as household waste. Instead it shall be handed over to the applicable collection point for the recycling of electrical and electronic equipment. By ensuring this product is disposed of correctly, you will help prevent potential negative consequences for the environment and human health, which could otherwise be caused by inappropriate waste handling of this product. For more detailed information about recycling of this product, please contact your local city office, your household waste disposal service or the shop where you purchased the product.

Grattis till ditt inköp!

Frysen du har köpt tillhör produktserien från **CYLINDA** och representerar en harmonisk sammansättning mellan kylteknik och estetiskt utseende. Det har en ny och tilltalande design och är tillverkat enligt europeiska och nationella standarder som garanterar säkerhetsfunktioner och fullgod användning. Samtidigt är kylmedlet R600a miljöanpassat och påverkar inte ozonlagret.

För att använda frysen på bästa sätt rekommenderar vi att du noggrant läser informationen i de här anvisningarna.

Råd för återvinning av din gamla enhet

Om din nyligen inköpta enhet används som ersättning för en annan måste du beakta några saker.

De gamla enheterna är inte värdelöst skräp. Vid avyttringen av dessa kan man bevara miljön och återvinna råmaterialen.

Gör din gamla enhet obrukbar:

- Koppla från enheten från strömförsörjningen
- Plocka bort strömsladden (kapa den);
- Avlägsna eventuella lås på dörren och undvik att barn kan stänga in sig i det och därmed riskera sina liv.

Kylskåpet innehåller isolerande material och kylmedel som kräver lämplig återvinning.

Den här enheten är inte avsedd för användning av personer med nedsatt fysisk, känslomässig eller mental förmåga eller en person som saknar grundläggande kunskaper om hur den används om han eller hon inte får tillräckligt mycket övervakning eller anvisningar från en person som ansvarar för säkerheten. Yngre barn bör bevakas så att de inte leker med enheten.

Återvinning av förpackningsmaterial

VARNING!

Låt inte barn leka med enheten eller mixtra med reglagen. Det finns risk för kvävning av delar av korrugerad kartong och plastfilm.

För att skydda kylskåpet har det skyddats med ett lämpligt emballage. Alla förpackningsmaterial är miljöanpassade och återvinningsbara. Hjälpt oss att återvinna förpackningarna samtidigt som vi skyddar miljön!

VIKTIGT!

Läs noggrant de här anvisningarna innan du börjar använda kylskåpet. De innehåller viktig information om installation, användning och underhåll.

Tillverkaren är fri från ansvar om informationen i det här dokumentet inte beaktas. Förvara instruktionerna på en säker plats för att lätt kunna komma åt dem om det behövs. De kan även vara användbara om någon annan köper kylskåpet.

OBSERVERA!

Den här enheten får bara användas för avsett syfte (för konsument), på lämpliga områden och inte utsättas för regn, fukt eller andra väderförhållanden.

Transportinstruktioner

Enheten måste transporteras i vertikal position om det är möjligt. Förpackningen måste vara i gott skick under transport.

Om enheten under transport har placerats i horisontell position (endast enligt markeringarna på förpackningen), Om anvisningarna inte följs kan det orsaka att motorkompressorn går sönder och att garantin upphävs.

Varningar och allmänna råd

- Koppla inte in enheten om du märker att något är fel.
- Reparationer får endast göras av kvalificerad personal.
- I följande situationer ska enheten kopplas ur strömkällan:
 - när du helt avfrostar enheten;
 - när du rengör enheten

För att koppla ur enheten drar du i kontakten, inte i kabeln!

- Säkerställ minimalt fritt utrymme mellan enheten och vägen där den är placerad.
- Häng inte på enhetens dörr.
- Låt inte barn leka med enheten.
- Använd aldrig elektriska apparater inuti frysen, för avfrostning.
- Använd inte enheten nära värmeaggregat, exempelvis spisar eller andra värmekällor, eller intill brand.
- Låt inte frysens dörr vara öppen längre än vad det tar att ta ut och ställa in mat.
- Lämna inte mat i kylskåpet när det inte är på.
- Förvara inga produkter i kylskåpet som är antändbara eller innehåller explosiva gaser.
- Förvara inte kolsyrade drycker (mineralvatten, läsk, champagne etc) i frysen: flaskan kan explodera! Frys inga drycker i plastflaskor.
- Är inte iskuber eller glass omedelbart efter att du har tagit ut dem, eftersom det kan orsaka att de fastnar.
- Rör aldrig vid kalla metalldelar eller fryst mat med våta händer, eftersom det kan göra att händerna fastnar.
- För att skydda utrustningen vid förvaring och transport levereras den med kilar mellan dörren och själva skåpenheten (främre och bakre sidan). De här kilarna avlägsnas innan du startar utrustningen.

- Överskott av is på ramen och korgarna skall skrapas av regelbundet med medföljande plastskrapa. Använd inga metalldelar för att ta bort isen.

Förekomsten av isbildning gör det omöjligt att stänga dörren korrekt.

- Om du inte använder enheten på några dagar är det lämpligt att slå av den. Om du inte använder den under en längre period ska du göra följande:

- koppla ur enheten;

- töm frysen;

- frosta ur den och rengör den;

- lämna dörren öppen för att undvika att det uppstår obehaglig lukt.

- Strömsladden kan bara bytas av en behörig person.

- Om enheten har ett lås ska du förvara det på en plats där du låser den och där den är säker, utom räckhåll för barn. Om du kastar en enhet med lås ska du kontrollera att det oskadliggörs. Det är mycket viktigt, för att undvika att barn låser in sig, vilken kan orsaka att de inte överlever.

Installation

Den här enheten har utformats för att arbeta i en omgivande miljö på +10°C till +43°C (SN/T klass). Om den omgivande temperaturen överstiger +43°C, kan temperaturen inuti enheten öka.

Installera enheten på långt avstånd från värme och eventuell eldkälla. Om du placerar den i ett varmt rum, kan direkt exponering för solstrålar eller nära värmekällor (värmepannor, spis, ugn) ökar energiförbrukningen och produktens livslängd förkortas.

- Observera följande miniavstånd:

- 100 cm från spisar med olja eller kol;

- 150 cm från el- och gasspisar.

- Se till att luften cirkulerar fritt kring enheten, genom att observera de avstånd som anges i alternativ 2.

Montera kondensorn (på baksidan) med medföljande galler. (Alternativ 3)

- Placera enheten på en helt jämn, torr och ventilerad plats.

Montera medföljande tillbehör.

Elektrisk anslutning

Din enhet ska drivas med enfasström på 220-240V/50 Hz. Innan du kopplar in enheten ska du se till att parametrarna för huvudström i huset (spänning, strömtyp, frekvens) efterlever parametrarna som gäller för enheten.

- Informationen gällande spänning och absorberad effekt ges på märketiketten som finns på frysens baksida.

- Elinstallation måste efterleva de juridiska kraven.

- **Jordningen för enheten är tvingande.**

Tillverkaren har inget ansvar för skada på personer, djur eller produkter som kan uppstå till följd av att specificerade villkor inte följs.

- Enheten är utformad för användning med en förlängningssladd och kontakt (Europa-typ, märkt med 10/16A) med dubbel jordad kontakt för att uppnå hög säkerhet. Om kontakten inte är av samma typ som uttaget ska du be en behörig elektriker utföra nödvändig ändring.

- Använd inte förlängningssladdar eller flera adapterar.

Slå av enheten

Frånslagning måste vara möjlig genom att ta ur stickkontakten eller genom att en tvåpolig kontakt placeras före kontakten.

Användning

Innan du sätter den i drift rengör du enheten invändigt (se avsnittet "Rengöring").

Efter att du har avslutat den här användningen kopplar du in enheten och justerar termostaten till en genomsnittlig position. De gröna och röda lysdioderna måste vara tända. Låt kylskåpet gå i 2 timmar utan att du har någon mat i det. Frysning av färsk mat är möjlig efter 20 minuters användning.

Beskrivning av enheten

(Alternativ 1)

1. Dörrhandtag
2. Dörr
3. Lampskydd
4. Korghandtag
5. Korgar
6. Bricka
7. Låskåpa
8. Termostatbox
9. Fjäder för transport

Användning av frysen

Temperaturinställning

Frysens temperatur justeras med en ratt på termostaten (alternativ 4), position „MAX” som lägsta temperatur.

Den uppnådda temperaturen kan variera beroende på omgivande förhållanden, exempelvis: placering av enheten, omgivande temperatur, hur ofta dörren öppnas, hur mycket mat som finns i frysen. Positionen för termostatratten ändras beroende på följande faktorer. Normalt justeras termostaten för en genomsnittlig position i omgivande temperaturer på omkring 43°C.

Signalsystemet placeras på framsidan av frysen (Alternativ 5).

Den omfattar:

2. Termostatens justeringsknapp – temperaturen på insidan justeras.
2. grön lysdiod – visar att enheten går på elström.
3. röd lysdiod – fara – tänds om temperaturen i frysen blir för hög. Lysdioden går 15-45 minuter efter att du har satt igång frysen och sedan måste den slockna. Om lysdioden tänds under användning innebär det att det har inträffat något fel.
4. Orange knapp – snabbfrysning – genom att trycka på den tänds den orange lysdioden, vilket visar att enheten har gått in i snabbfrysningläge. Stängningen av det här läget görs genom att du trycker på knappen igen och den orange lysdioden slocknar.

De tre lysdioderna ger information om läget för användning av frysen.

Råd för bevarande av mat

Frysen är avsedd att bevara maten fryst under en längre tid, samt att frysa färsk mat.

Ett av huvudelementen för framgångsrik frysning är förpackningen.

Huvudvillkoren innebär att förpackningen måste uppfylla följande: vara lufttät, tät mot förpackad mat, tåla låga temperaturer, tåla vätska och fett, samt att tvättas.

Dessa villkor uppföljs plast- eller aluminiumfilm, plast- och aluminiumförpackningar, plastglas och vaxade glas.

VIKTIGT!

- Vid frysning av den färska maten ska du använda medföljande lådor för enheten.
- Placera inte för mycket mat i frysen. Maten bevaras bäst om den djupfrysas så mycket som möjligt. Detta är anledningen till att det är bäst att inte överskrida kapaciteten för frysen, se dataark (sidan 16). För att minska frystiden trycker du på knappen för snabbfrysning.
- Den färska maten får inte komma i kontakt med redan frusen mat.
- Den frusna maten du har köpt kan placeras i frysen utan att behöva justera termostaten.

- Om frysdatum inte finns angivet på förpackningen ska du tänka på att det kan vara lämpligt att använda en period på max 3 månader.

- Mat, även delvis upptinad, kan inte frysas igen, utan måste användas omedelbart eller tillagas före omfrysning.

- Förvara inte kolsyrade drycker i frysen.

- Vid strömavbrott ska du inte öppna dörren till enheten. Fryst mat påverkas inte om avbrottet pågår mindre än 67 timmer

GLÖM INTE FÖLJANDE!

24 timmar efter att maten placerats i frysen ska du avbryta snabbfrysningläget genom att trycka på knapp 4 igen, när den orange lysdioden slocknar.

Användning av lådor

Lådorna kan placeras i kylskåpet längst ned. Gör det på följande sätt:

1. Vrid handtaget 20⁰ och dra sedan handtaget i pilens riktning (alternativ 6.1). Om du följer den här åtgärden får du den position som handtaget visar i alternativ 6.2.
2. Vrid handtaget i pilens riktning (alternativ 6.2) tills det är i position 6.3.
3. Fäst handtaget på fjädern genom att föra det i pilens riktning (alternativ 6.3).
4. På det sättet placeras handtaget i den position som visas inuti enheten (alternativ 6.4).

Lådorna kan placeras i frysen enligt följande (alternativ 7).

Avfrostning av enheten

- Vi rekommenderar dig att avfrosta frysen minst två gånger om året eller när islagret är för tjockt.
- Isbildning är ett normalt fenomen.
- Hur mycket is som bildas beror på omgivande förhållanden och hur ofta dörren öppnas.
- Vi rekommenderar att du avfrostar enheten när du har så lite mat i som möjligt.
- Före avfrostning justerar du termostaten till en högre position så att maten lagras mer kyld.

- Koppla ur enheten.

- Ta ut den frysta maten, vira in den i flera ark papper och placera den i kylen eller på en sval plats.

Ta separatorpanelen och placera den under frysen i droptubens riktning. Ta ut den plugg som sitter i vägen. Det vatten som smälter samlas i brickan (separatorpanelen) Efter att isen har smält och vattnet runnit bort ska du torka med en trasa eller svamp och sedan torka av ordentligt. Sätt tillbaka stoppluggen. (Alternativ 8)

För snabbare upptining lämnas dörren öppen.

Använd inga vassa metalldelar för att ta bort isen.

Använd inga hårtorkar eller andra elektriska värmeenheter för avfrostning.

Invändig rengöring

Innan du påbörjar rengöringen ska du koppla ur enheten från strömkällan.

- Det är lämpligt att rengöra enheten när du avfrostar den.
- Tvätta insidan med ljummet vatten där du tillsätter neutral rengöring. Använd inte tvål, rengöring, bensin eller aceton som kan efterlämna en stark odör.
- Torka av med en våt svamp och toaka med en mjuk trasa.

Under användning ska du undvika för mycket vatten, för att förhindra ingång till termisk isolering av enheten, vilket kan orsaka obehaglig lukt.

Glöm inte bort att rengöra även dörrens tätning, speciellt i vecken, med en mjuk trasa.

Utvändig rengöring

- Rengör utsidan av frysen med en svamp som har doppats i varmt vatten och torka av med en mjuk och torr trasa.
- Rengöringen av utsidan av kylskåpssystemet (motorkompressor, kondensator, anslutningsrör) görs med en mjuk borste eller med dammsugare. Under den här användningen ska du vara försiktig så att du inte vrider rören eller kopplar ur kablarna.

Använd inga medel med slipeffekt!

- Efter avslutad rengöring sätter du tillbaka tillbehören och kopplar in enheten.

Byte av innerbelysningens glödlampa

Om lampan går sönder kopplar du ur enheten från strömkällan. Ta ut lampringen. Se till att lampan skruvas i korrekt. Koppla in enheten igen. Om lampan fortfarande inte tänds byter du ut den mot en annan modell, E14-15W. Sätt tillbaka lampringen på plats.

Felsökningstuide

Enheten fungerar inte.

- Det är strömavbrott.
- Kontakten på strömsladden är inte helt insatt i uttaget.
- Säkringen har gått.
- Termostaten är i läget „OFF”.

Temperaturerna är inte tillräckligt låga (röd lysdiod på).

- Maten är i vägen för dörren.
- Enheten placerades inte korrekt.
- Enheten placerades för nära en värmekälla.
- Termostaten är inte i rätt position.

Isbildningar

- Dörren stängdes inte ordentligt.

Den invändiga belysningen fungerar inte

- Lampan har gått. Koppla ur enheten ur strömkällan, ta ut lampan och byt mot en ny.

Följande är inte fel

- Sprickor och bucklor i produkten kylmedelscirkulation i systemet.

Brus under användning

För att hålla temperaturen på det värde du har ställt in startar kompressorn med jämna mellanrum.

Det brus som kan höras i sådana situationer är normalt.

De uppnås så snart enheten uppnår driftstemperatur.

Ett brusande ljud hörs från kompressorn. Det kan bli något starkare när kompressorn går igång.

Bubblande och gurglande ljud som kommer från kylskåpet i rör och från själva enheten är normala driftsljud.


Varning!

Försök aldrig utföra några reparationer på enheten eller de elektriska komponenterna. Alla reparationer som görs av en obehörig person är farliga för användaren och kan leda till att garantin inte gäller.

Dataark

FABRIKAT	Cylinda
MODELL	FB1350A+
TYP	FRYS * **
Total bruttovolym (l)	369
Total användbar volym (l)	350
Fryskapacitet (kg/24 h)	22
Energiklass (1)	A+
Strömförbrukning (kWh/år) (2)	299
Autonomi (h)	67
Bullernivå (dB (A) re 1 pW)	40
Ekologisk kylmedelsagent R 600a	
(1) Energiklass : A . . . G (A = ekonomisk. . . G = mindre ekonomisk)	
(2) Den faktiska strömförbrukningen beror på användningsförhållanden och utrustningens placering.	



Symbolen  på produkten eller förpackningen indikerar att den här produkten inte kan kastas med hushållsavfallet. Den ska i stället lämnas på speciella insamlingsställen för återvinning av elektriskt och elektroniskt avfall. Genom att säkerställa att produkten avyttras på rätt sätt bidrar du till att förhindra potentiella, negativa konsekvenser för miljön och den mänskliga hälsan. Annars kan avfallshanteringen bli felaktig för produkten. Om du vill ha mer detaljerad information om återvinning av den här produkten ska du kontakta din kommun, renhållningsbolaget eller den butik där du inhandlade produkten.

Onnittelut valinnastasi!

Ostamasi arkkupakastin on osa **CYLINDA**-tuotevalikoimaa, jossa jäähdystekniikka ja esteettisen ulkonäkö on yhdistetty sopusointuisesti. Laitteella on uusi, miellyttävä muotoilu ja se on valmistettu eurooppalaisten ja kansallisten standardien mukaan, mikä takaa sen käyttö- ja turvallisuusominaisuudet. Myös käytetty jäähdytysaine, R600, on ympäristöystävällinen eikä sillä ole vaikutusta otsonikerrokseen.

Saadaksesi pakastimestasi parhaan hyödyn suosittelemme lukemaan huolellisesti näiden käyttöohjeiden tiedot.

Neuvoja vanhan laitteen kierrätykseen

Mikäli vastaostettu laite korvaa vanhemman laitteen, on otettava huomioon eräitä seikkoja.

Vanhat laitteet eivät ole arvotonta romua. Niiden kierrättäminen säästää luontoa ja tarjoaa mahdollisen kerätä talteen tärkeitä raaka-aineita.

Tee vanha laite toimimattomaksi:

- irrota laite verkkovirrasta.
- irrota verkkojohto (leikkaa se).
- irrota ovesta mahdolliset lukot, jotta lapset eivät jää loukkuun sisälle leikkiessään ja joudu hengenvaaraan.

Jäähdytyslaitteet sisältävät eristemateriaalia ja jäähdytysaineita, jotka on kierrätettävä oikein.

Tätä laitetta ei ole tarkoitettu sellaisten henkilöitten käytettäväksi, joilla on heikentyneet fyysiset, aistimelliset tai henkiset kyvyt tai joilta puuttuu kokemusta ja tietoa, jollei heidän turvallisuudestaan vastaava henkilö valvo heitä ja anna heille tietoja laitteen käytöstä. Pieniä lapsia on neuvottava, etteivät he leiki laitteen kanssa.

Pakkauksen kierrätys

VAROITUS!

Älä anna lasten leikkiä pakkauksella tai sen osilla. Aaltopahvin tai muovikelmun palasiin voi tukehtua.

Jotta saisit laitteen hyvässä kunnossa, se on suojattu soveliaalla pakkausmateriaalilla. Kaikki pakkausmateriaalit ovat yhteensopivia ympäristön kanssa ja kierrätettäviä. Auta meitä kierrättämään pakkausmateriaali ja suojelemaan ympäristöä!

TÄRKEÄÄ!

Ennen kuin käytät laitetta lue nämä ohjeet huolellisesti ja kokonaisuudessaan. Ne sisältävät tärkeää tietoa laitteen asennuksesta, käytöstä ja huollosta. Valmistaja on vapaa kaikista vastuista, mikäli tämän ohjekirjan neuvoja ei noudateta. Säilytä nämä ohjeet varmassa paikassa, jotta ne ovat tarvittaessa helposti saatavilla. Niistä voi myös olla hyötyä seuraavalle käyttäjälle.

HUOMIO!

Laitetta saa käyttää ainoastaan käyttötarkoitukseensa (kotitalouskäyttö), sopivassa paikassa suojattuna sateelta, kosteudelta ja muilta sääilmiöiltä.

Kuljetusohjeet

Laitetta on kuljetettava mahdollisuuksien mukaan ainoastaan pystyasennossa. Pakkauksen on oltava täysin ehjä kuljetuksen aikana.

Jos laite asetetaan kuljetuksen aikana vaakatasoon (vain pakkauksen merkintöjen mukaan), suositellaan, että ennen käyttöä laitteen annetaan olla paikoillaan 12 tuntia kuljetuksen jälkeen, jotta jäähdytysvirtapiiri ehtii asettua.

Näiden ohjeiden noudattamatta jättäminen voi aiheuttaa kompressorimoottorin rikkoutumisen ja tämän takuun raukeamiseen.

Varoitukset ja yleiset ohjeet

- Älä liitä laitetta verkkoon, jos huomaat vian.
- Vain pätevä huolto saa tehdä korjauksia.
- Irrota laite verkkovirrasta seuraavissa tapauksissa:
 - kun pakastin sulatetaan kokonaan
 - kun laitetta puhdistetaan

Laitetta verkosta irrotettaessa on vedettävä pistokkeesta, ei johdosta!

- Varmista minimietäisyys laitteen ja sen viereisen seinän välillä.
- Älä kiipeä laitteen päälle.
- Älä anna lasten leikkiä laitteella tai piiloutua sen sisään.
- Älä koskaan käytä laitteen sisällä sähkölaitteita sulatukseen.
- Älä käytä laitetta lämmityslaitteiden, liesien tai muiden kuumuuden tai tulen lähteiden läheisyydessä.
- Älä jätä pakastimen kantta auki pidemmäksi aikaa kuin on tarpeellista ruuan sisään laittamisen tai pois ottamisen vuoksi.
- Älä jätä ruokaa laitteeseen, jos se ei toimi.
- Älä säilytä laitteessa syttyviä aineita tai räjähtäviä kaasuja sisältäviä tuotteita.
- Älä säilytä pakastimessa hiilihappopitoisia juomia (mehua, mineraalivettä, samppanjaa jne.). Pullo voi räjähtää! Älä jäädytä juomia muovipulloissa.
- Älä syö jääkuutioita tai jäätelöä välittömästi otettuasi ne pakastimesta, sillä ne voivat aiheuttaa palelumavammoja.
- Älä kosketa kylmiä metalliosia tai pakasteruokaa märillä käsillä, koska kätesi voivat jäätyä äkillisesti hyvin kylmillä pinnoilla.
- Laitteen suojaamiseksi varastoinnin ja kuljetuksen aikana sen varusteena on välikappaleet, jotka asetetaan oven ja kaapin väliin. Välikappaleet on poistettava ennen kuin laite otetaan käyttöön.

- Liiallinen runkoon kertyvä jää on poistettava säännöllisesti mukana tulevalla muovikaapimella. Jään poistamiseen ei saa käyttää metalliosia. Jäänkertyminen tekee mahdottomaksi saada ovea kunnolla kiinni.
- Jos et käytä laitetta muutamaan päivään, sen pois päältä kytkeminen ei ole suositeltavaa. Jos et käytä laitetta pidempään aikaan, toimi seuraavasti:
 - irrota laite verkosta
 - tyhjennä pakastin
 - sulata ja puhdista se
 - jätä kansi auki epämiellyttävän hajun syntymisen estämiseksi
- Verkkojohdon saa vaihtaa vain valtuutettu henkilö
- Jos laitteessa on lukko, pidä se lukittuna ja säilytä avainta varmassa paikassa lasten ulottumattomissa. Jos hävität lukollisen laitteen, varmista, että lukko on tehty käyttökelvottomaksi. Tämä on hyvin tärkeää, jotta vältetään lasten jääminen laitteen sisään, mikä voi johtaa hengenmenetyksiin.

Asennus

Tämä laite on suunniteltu toimimaan +10°C - +43°C (SN/T-luokka) ympäristön lämpötilassa. Jos ympäristön lämpötila on yli +43°C, laitteen sisälämpötila voi nousta.

Sijoita laite kauas kuumuuden ja tulen lähteistä. Lämpimään huoneeseen sijoitettaessa suora altistus auringonvalolle tai lämmönlähteen läheisyys (lämmittimet, liedet, uunit) lisää energiankulutusta ja lyhentää tuotteen ikää.

- Noudata seuraavia minimietäisyyksiä:
 - 100 cm etäisyys hiili- ja öljyliesistä
 - 150 cm etäisyys sähkö- ja kaasuliesistä
 - Varmista ilman vapaa kierto laitteen ympärillä noudattamalla kohdassa 2 annettuja etäisyyksiä.
- Asenna mukana olevat välitteet lauhduttimeen /taakse). (Kohta 3).
- Sijoita laite täysin tasaiselle, kuivalle ja hyvin ilmastoidulle paikalle.
- Asenna mukana olevat lisävarusteet.

Sähköliitännät

Laite on tarkoitettu toimimaan 220-240V:n/50 Hz:n yksivaihejännitteellä. Ennen kuin liität laitteen verkkovirtaan, varmista, että talosi sähköverkon parametrit (jännite, jännitelaji, taajuus) vastaavat laitteen toimintaparametreja.

- Käyttöjännitettä ja ottotehoa koskevat tiedot löytyvät tyyppikilvestä pakastimen takaosan alareunan oikealta puolelta.
- Sähköasennusten on noudatettava lain vaatimuksia.
- **Laitteen maadoitus on pakollinen. Valmistaja ei ole vastuussa henkilö- tai eläinvahingoista tai aineellisista vahingoista, joita voi syntyä määriteltyjen ehtojen noudattamatta jättämisestä.**
- Laite on varustettu verkkojohdolla ja pistokkeella (eurooppalaista tyyppiä, merkintä 10/16 A), jossa on turvallisuusyistä kaksoismaakosketus. Jos pistorasia ei ole samaa tyyppiä kuin pistoke, pyydä valtuutettua sähkötekniikkaa vaihtamaan se.
- Älä käytä jatkojohtoja tai moninkertaisia verkkomuuntajia.

Pois päältä kytkeminen

Pois päältä kytkemisen on oltava mahdollista irrottamalla pistoke pistorasiasta tai verkon kaksinapaisella kytkimellä, joka on ennen pistorasiaa.

Käyttö

Puhdista laitteen sisäpuoli ennen käyttöönottoa (katso luku "Puhdistus"). Tehtyäsi tämän liitä laite verkkoon ja säädä termostaattivalitsin normaaliasentoon. Ohjauslohkon vihreän ja punaisen LED-valon on syyttävä. Jätä laite päälle noin kahdeksi tunniksi laittamatta elintarvikkeita sisälle. Tuoreen ruuan pakastaminen on mahdollista vähintään 20 tunnin käytön jälkeen.

Laitteen kuvaus

(Kohta 1)

1. Kannen kahva
2. Kansi
3. Lamppukotelo
4. Korin kahva
5. Korit
6. Lokero
7. Lukon kotelo
8. Termostaattirasia
9. Välilevy kuljetusta varten

Pakastimen toiminta

Lämpötilan säätö

Pakastimen lämpötilaa säädetään termostaattiin asennetulla valitsimella (kohta 4), sijainnin "MAX" ollessa matalin lämpötila. Saavutetut lämpötilat voivat vaihdella laitteen käyttöolosuhteista riippuen, kuten: laitteen sijainnista, ympäristön lämpötilasta, kannen avauskerroista, pakastimen täyttöasteesta. Termostaattivalitsimen asento muuttuu näiden tekijöiden mukaan. Normaalisti termostaatin on oltava normaaliasennossa, kun ympäröivä lämpötila on. 43⁰C.

Signaalijärjestelmä on pakastimen etuosassa (kohta 5).

Siihen kuuluu:

3. Termostaatin säätövalitsin sisälämpötilan säätöön.
2. vihreä LED-valo osoittaa, että laite saa virtaa.
3. punainen LED-valo - vaurio - syttyy, jos pakastimen lämpötila on liian korkea. LED-valo syttyy noin 15-45:ksi minuutiksi laitteen verkkoon liittämisen jälkeen, sitten se sammuu. Jos LED-valo syttyy käytön aikana, se tarkoittaa että on ilmennyt vika.
4. Oranssia pikapakastuspainiketta painamalla syttyy oranssi valo, joka osoittaa että laite on siirtynyt pikapakastustilaan. Tästä tilasta poistutaan painamalla painiketta uudelleen, jolloin oranssi valo sammuu.

Kolme LED-valoa näyttävät tietoja pakastimen toimintatilasta.

Neuvoja ruuan säilömiseen

Pakastin on tarkoitettu pakasteruokien pitkäaikaiseen säilytykseen ja tuoreen ruuan pakastamiseen.

Yksi päätekijöistä onnistuneessa pakastamisessa on pakkaus.

Pakkauksen on täytettävä seuraavat päävaatimukset: oltava ilmatiivis, oltava neutraali pakattua elintarviketta kohtaan, kestävä alhaisia lämpötiloja, oltava nesteiden, rasvan, vesihöyryn ja hajujen kestävä, oltava pestävä.

Seuraavanlaiset pakkaukset täyttävät nämä ehdot: Muovi- tai alumiinikalvo, muovi- ja alumiiniastiat, vahakartonkiset tai muoviset pakkaukset.

TÄRKEÄÄ!

- Käytä laitteen toimitukseen kuuluvia koreja tuoreiden ruokien pakastamiseen.
- Älä sijoita pakastimeen liian suurta ruokamäärää kerralla. Ruuan laatu säilyy parhaiten, kun se pakastetaan niin nopeasti kuin mahdollista. Siksi ei ole suositeltavaa ylittää laitteen pakastuskapasiteettia joka määritellään laitteen tuotetiedoissa (sivu 24). Pakastusajan lyhentämiseksi paina pikapakastuspainiketta.
- Tuoreruoka ei saa päästä kosketuksiin jo pakastetun ruuan kanssa.
- Ostamasi pakasteruoka voidaan laittaa pakastimeen suoraan ilman termostaatin säätötarvetta.

- Jos pakastuspäivää ei mainita pakkauksessa, on oletettava yleisohjeena enintään 3 kuukautta.
- Ruokaa, edes osittain sulanutta, ei saa pakastaa uudelleen, vaan se on käytettävä välittömästi tai valmistettava ruuaksi ja pakastettava.
- Hiilihappopitoisia juomia ei saa säilyttää pakastimessa.
- Virtakatkoksen sattuessa älä avaa kantta. Pakastetut ruuat pysyvät hyvinä, mikäli sähkökatkos kestää alle 67 tuntia.

ÄLÄ UNOHDA!

Kun ruuan laittamisesta sisään pakastimeen on kulunut 24 tuntia, peruuta pikapakastustila painamalla uudelleen painiketta 4, jolloin oranssi valo sammuu.

Korien käyttö

Korit voidaan asettaa laitteeseen sisätilan pohjalle ohjaimia pitkin ja asettaa päällekkäin. Tee niin toimimalla seuraavasti:

1. Kierrä kahvaa 20^o ja vedä sitä nuolen osoittamaan suuntaan (kohta 6.1). Näin toimien kahvan asennon tulisi olla kuten kohdassa 6.2.
2. Kierrä kahvaa nuolen osoittamaan suuntaan (kohta 6.2) kunnes se on kohdan 6.3 osoittamassa asennossa.
3. Kiinnitä kahva lankaan siirtämällä sitä nuolen osoittamaan suuntaan (kohta 6.3).
4. Näin on saatu koottua kahvallinen kori osoitettuun kohtaan asetettavaksi pakastimen sisään (kohta 6.4).

Korit voidaan asettaa pakastimeen seuraavasti (kohta 7).

Laitteen sulattaminen

- Suosittelemme pakastimen sulatusta vähintään kaksi kertaa vuodessa tai kun jääkerros on hyvin paksu
- Jään kertyminen on normaali ilmiö.
- Jäänkertymisen määrä ja nopeus riippuvat ympäristöolosuhteista ja luukun aukaisemiskerroista.
- Suosittelemme laitteen sulatusta, kun pakasteruuan määrä on pienimmillään.
- Säädä termostaattivalitsin ennen sulatusta ylimpään asentoon, jotta ruoka kerää enemmän kylmyyttä.

- Irrota laite verkosta.

- Ota pakasteet ulos, kääri ne useaan kerrokseen paperia ja laita jääkaappiin tai viileään paikkaan.

Aseta erotinpaneeli pakastimen alle vuotoputken suuntaisesti. Irrota tulppa. Sulatusvesi kootaan erityiselle tasolle (erotinpaneeli). Kun jää on sulanut ja vesi valunut pois, pyyhi pakastimen sisätila liinalla tai sienellä ja kuivaa hyvin. Aseta tulppa takaisin paikoilleen. (Kohta 8) Jätä kansi auki nopeaa sulatusta varten.

Älä käytä teräviä metalliesineitä jään poistamiseen.

Älä käytä sulatukseen hiustenkuivaajia tai muita sähkölämmityslaitteita.

Sisäpuolen puhdistaminen

Ennen kuin aloitat puhdistuksen, irrota laitteen pistoke virtapistorasiasta.

- On suositeltavaa puhdistaa laite sulatuksen yhteydessä.

- Pese sisäpuoli haalealla vedellä, johon on lisätty neutraalia pesuainetta. Älä käytä saippuaa, puhdistusainetta, bensiiniä tai asetonia, joista voi jäädä voimakas haju.

- Pyyhi märällä sienellä ja kuivaa pehmeällä liinalla.

Vältä liiallista vettä puhdistuksen aikana, jottei sitä pääse laitteen lämpöeristeisiin, mikä voi aiheuttaa epämiellyttävän hajun.

Älä unohda puhdistaa pehmeällä liinalla luukun tiivisteitä, erityisesti uurteista.

Ulkopuolen puhdistaminen

- Puhdista pakastimen ulkopuoli lämpimässä saippuavedessä kastellulla sienellä, pyyhi se pehmeällä liinalla ja anna kuivaa.

- Jäähdytysvirtapiirin ulko-osat (kompressorimoottori, lauhdutin, liitäntäputket) puhdistetaan pehmeällä harjalla tai pölynimurilla. Älä väännä putkia tai irrota johtoja puhdistuksen aikana.

Älä käytä hankaavia tai hiovia materiaaleja!

- Kun olet lopettanut puhdistuksen, aseta varusteet paikoilleen ja liitä laite verkkoon.

Sisälampun vaihtaminen

Jos lamppu palaa, irrota laite verkkovirrasta. Irrota lampun suojus. Varmista, että lamppu on kierretty oikein paikoilleen. Kytke laite uudelleen verkkovirtaan. Jollei lamppu vieläkään pala, vaihda se toiseen malli E14-15W – lamppuun. Kiinnitä lampun suojus paikoilleen.

Vianetsintäopas

Laite ei toimi.

- Sähkökatkos.
- Virtajohdon pistoke ei ole kunnolla kiinni pistorasiassa.
- Sulake on palanut.
- Termostaatti on ”OFF”-asennossa.

Lämpötila ei ole riittävän alhainen (punainen LED-valo palaa).

- Ruoka estää luukun sulkemisen.
- Laite on väärin sijoitettu.
- Laite on liian lähellä lämmönlähdettä.
- Termostaattivalitsin ei ole oikeassa asennossa.

Liiallinen jäänmuodostus

- Kantta ei ole suljettu kunnolla.

Sisävalo ei pala

- Lamppu on palanut. Irrota laite verkkovirrasta, irrota lamppu ja vaihda se uuteen.

Seuraavat eivät ole vikoja

Pakastimesta mahdollisesti kuuluvat rapsahdukset ja naksahdukset: jäähdytysaine kiertää järjestelmässä.

Käytön aikaiset äänet

Jotta lämpötila pysyisi säädettyssä arvossa, pakastimen kompressorin käynnistyminen ajoittain.

Tässä tilanteessa kuuluvat äänet ovat normaaleja.

Ne häviävät heti, kun laite saavuttaa käyttölämpötilan.

Humiseva ääni kuuluu kompressorista. Se voi kuulua hieman voimakkaampana, kun kompressorin käynnistyminen.

Kuplivat ja pulppuavat äänet johtuvat jäähdytysaineen kierrosta pakastimen putkissa ja ne ovat normaaleja käyntiääniä.


Varoitus!

Älä koskaan yritä itse korjata laitetta tai sen sähköosia. Kaikki valtuuttamattoman henkilön tekemät korjaukset ovat vaarallisia käyttäjälle ja ne voivat johtaa takuun raukeamiseen.

Laitteen tuotetiedot

MERKKI	Cylinda
MALLI	FB1350A+
LAITETYYPPI	ARKKUPAKASTIN * ** *
Kokonaisbruttotilavuus (l)	369
Kokonaiskäyttötilavuus (l)	350
Pakastuskapasiteetti (kg/24 h)	22
Energiansäästöluokka (1)	A+
Energian kulutus (kWh/vuosi) (2)	299
Omavaraisuus (t)	67
Melutaso (dB (A) / 1 pW)	40
Ekologinen jäähdytysaine R600a	
(1) Energialuokat: A: . . G (A = taloudellinen . . G = vähiten taloudellinen)	
(2) Todellinen virrankulutus vaihtelee käyttöolosuhteiden ja laitteen sijoituspaikan mukaan.	



Tuotteen pakkauksessa oleva merkintä  tarkoittaa, että laitetta ei saa käsitellä kotitalousjätteenä. Sen sijaan se on toimitettava elektroniikka- ja sähkölaiteromun kierrätyspisteeseen. Varmistamalla tuotteen oikea hävittäminen autat estämään mahdollisia haitallisia vaikutuksia ympäristölle ja ihmisten terveydelle, joita muuten saattaisi aiheutua laitteen väärästä hävittämistavasta. Lisätietoja laitteen kierrättämisestä saa kunnalliselta jätehuollolta, jätehuoltopalvelulta ja kaupasta, josta ostit tuotteen.

